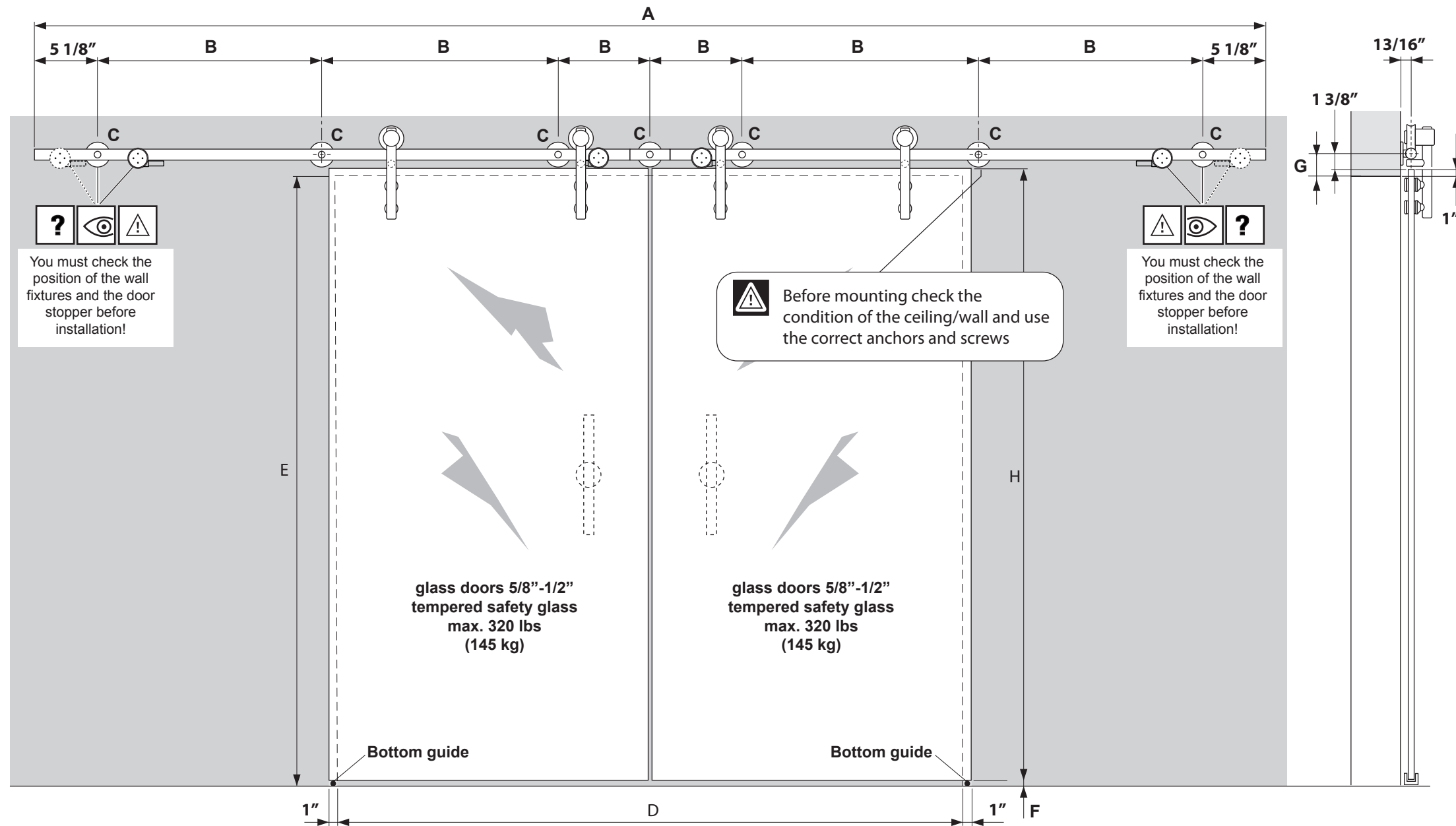


Installation instructions

Sliding door fittings Unotec Home

for 2 leaf glass doors (5/16"-1/2") with Soft-Tec Stopper



Complete-Set's

A Inch	B Inch	C each	D Inch	E max.Inch	F Inch	G Inch	H max. Inch (H=E - F + 1")
118 1/8"	26 15/16"	5	55 1/8" - 59"	98 7/16"	1/4" - 3/8"	2 3/8"	99 1/8"
144"	22 5/16"	7	59" - 70 7/8"	98 7/16"	1/4" - 3/8"	2 3/8"	99 1/8"
192"	22 3/4"	9	78 3/4" - 94 1/2"	98 7/16"	1/4" - 3/8"	2 3/8"	99 1/8"

ABP beyerle

Beyerle US L.L.C.

5126 South Royal Atlanta Drive, Tucker, GA 30084, USA

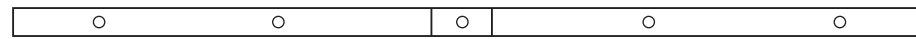
Phone (770) 349 - 6324, Fax (770) 934 - 3384, mail: info@beyerle-us.com, www.beyerle-us.com

Right to make technical changes reserved - Dimensions in inch - Version 09.2018
© by ABP-Beyerle GmbH

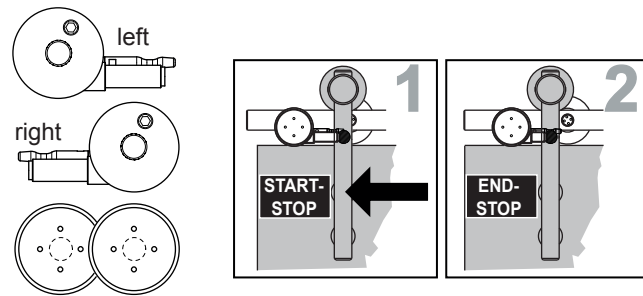
ABP beyerle

1 Set sliding door fittings Unotec Home

2 Guide rail with coupling

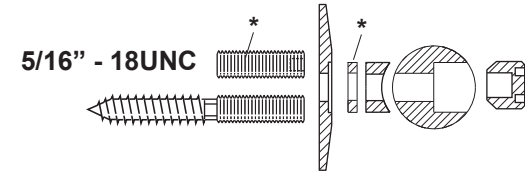


3 Door stoppers Soft-Tec



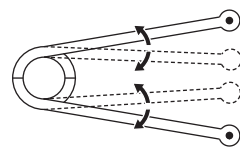
5 Wall fixtures

(without screws and dowels, at construction site)



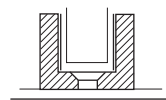
* not included in scope of delivery

6 Special tool

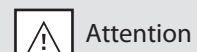
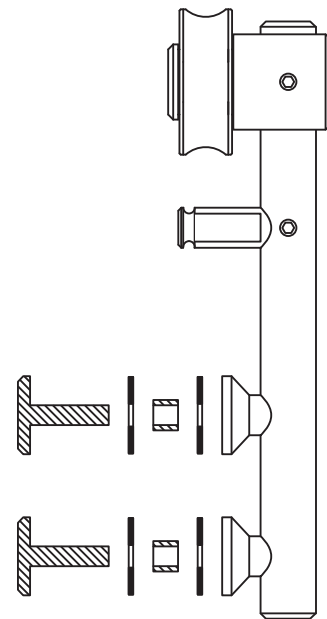


7 Bottom guide

(without screws and dowels, at construction site)



4 Trolley complete



Attention



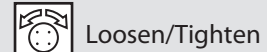
Screw on



Screw on



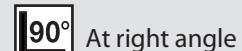
Screw on



Loosen/Tighten



Install



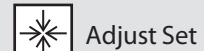
At right angle



Drill



Dowels



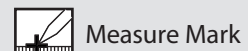
Adjust Set



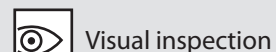
Level



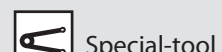
Perpendicular



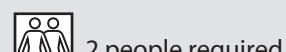
Measure Mark



Visual inspection



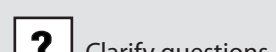
Special-tool



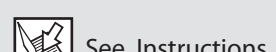
2 people required



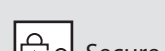
Measure



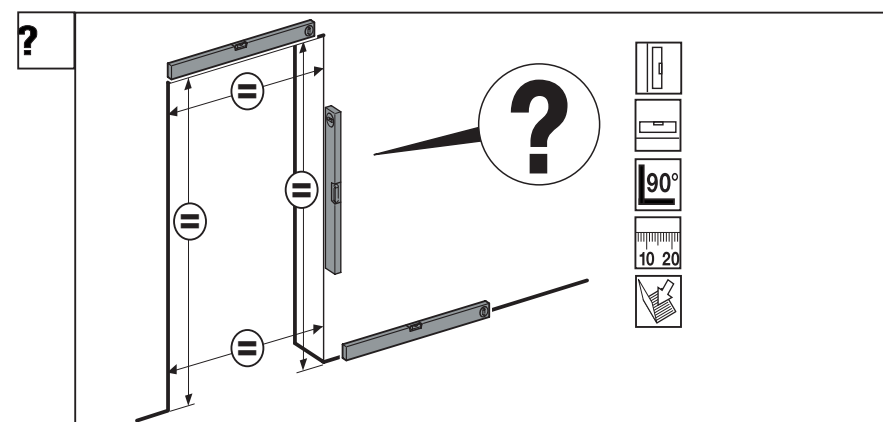
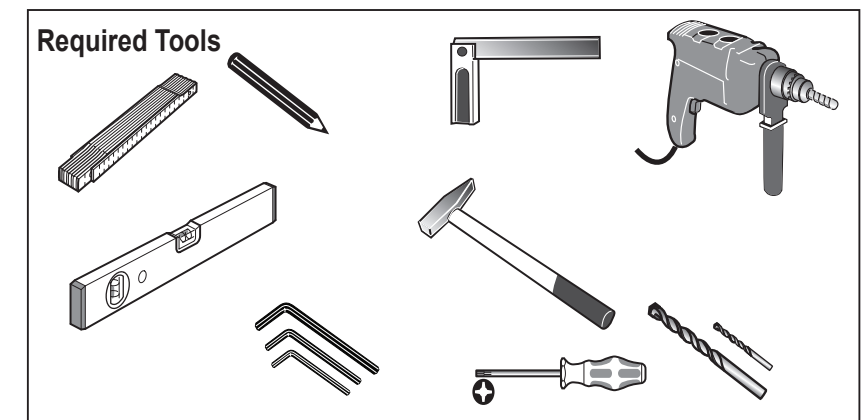
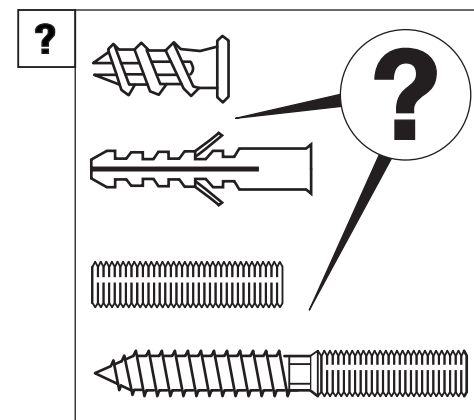
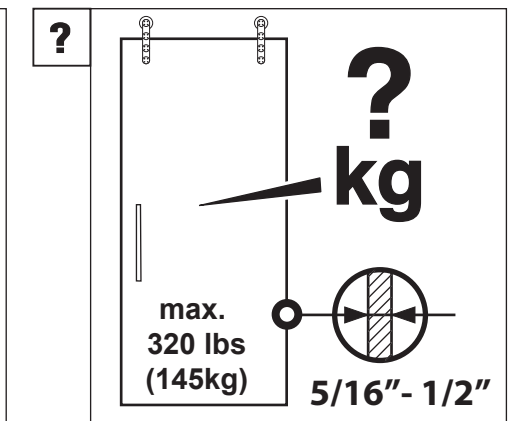
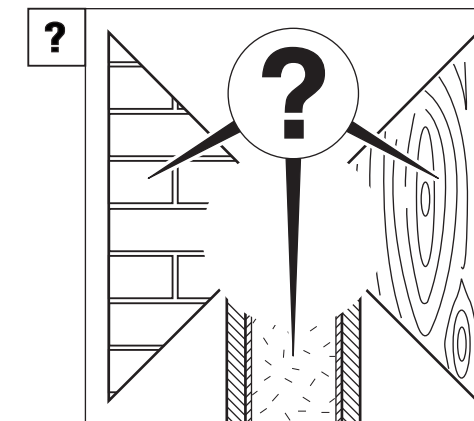
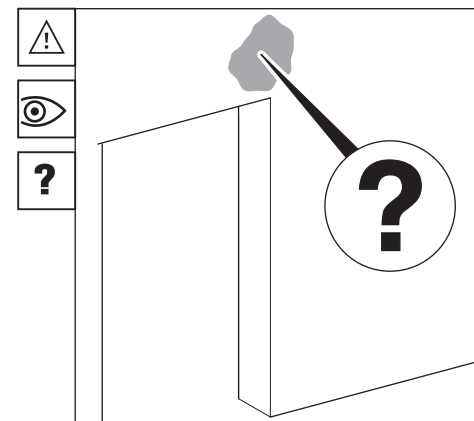
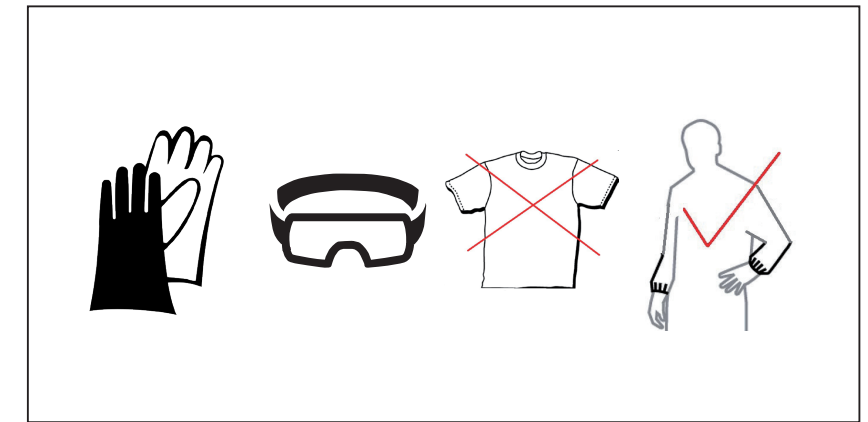
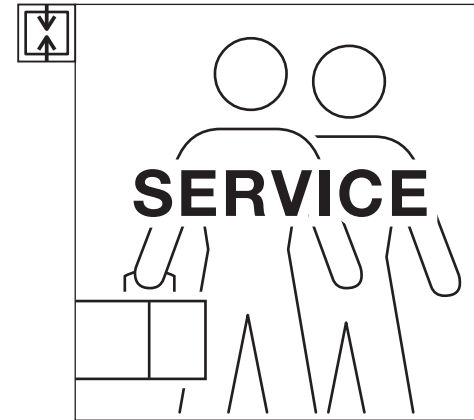
Clarify questions



See Instructions



Secure



Comply with all general safety regulations when installing the sliding door fittings!

Installation to be completed by qualified licensed contractor.

Be sure to tighten all screw connections one week after starting to use the sliding door fittings!

Never use scouring agents to clean the sliding door fittings; rather use commercially available stainless-steel cleaners!

Set Flatec I	Set / Each					
1 track rail length	2	3	4	5	6	7
118 1/8"	1	4	4	5	1	2
144"	1	4	4	7	1	2
192"	1	4	4	9	1	2

Beyerle US L.L.C., ABP-Beyerle, its subsidiaries and agents are not responsible or liable for damage or injury to any persons or property due to improper installation of its products. All liabilities reside solely with the installer.

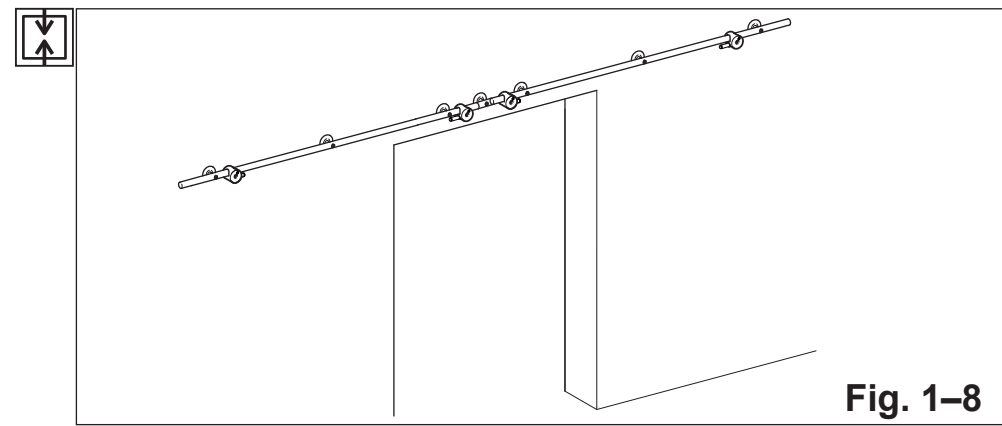


Fig. 1-8

Fig. 1

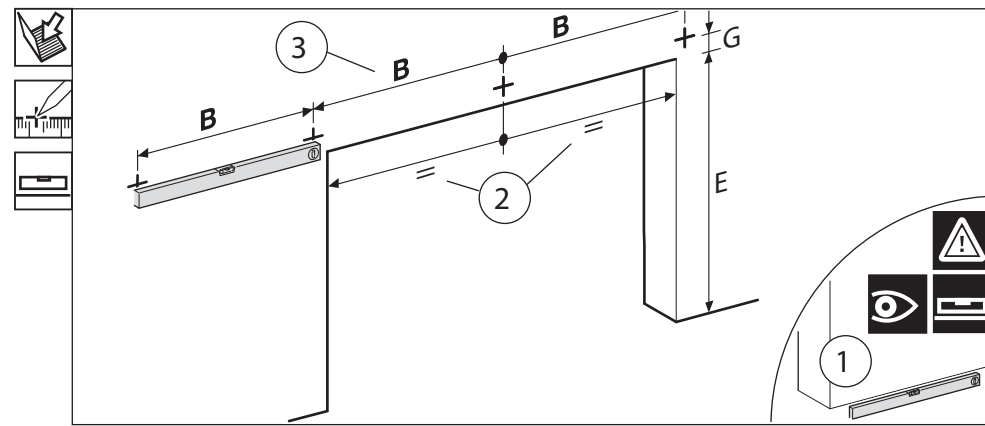


Fig. 2

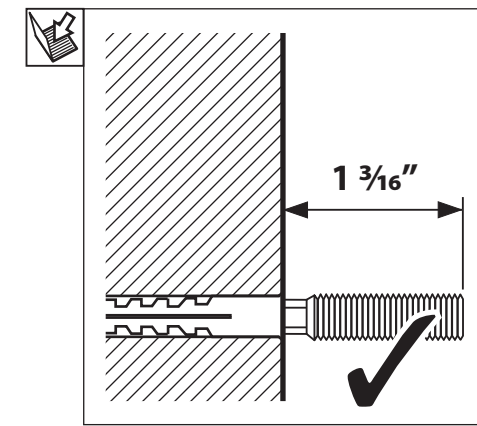


Fig. 3

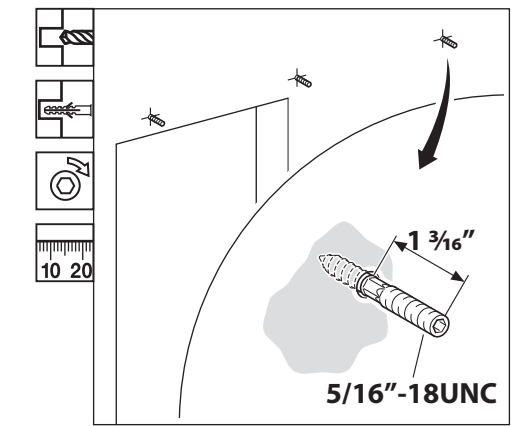


Fig. 4

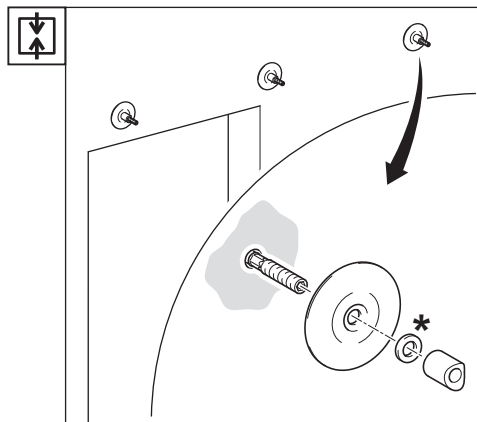


Fig. 5

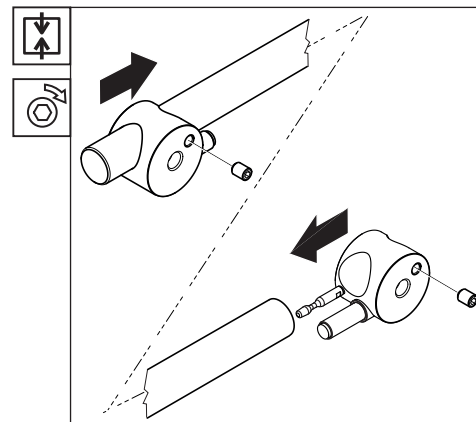


Fig. 6

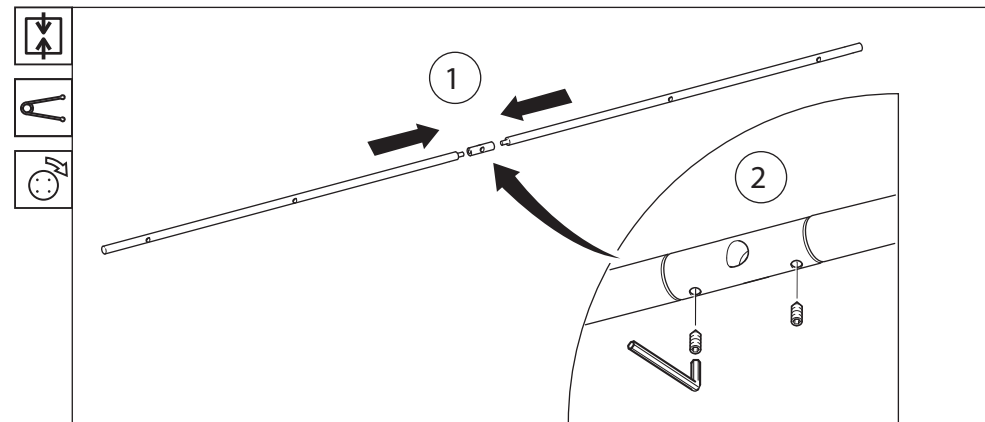


Fig. 7

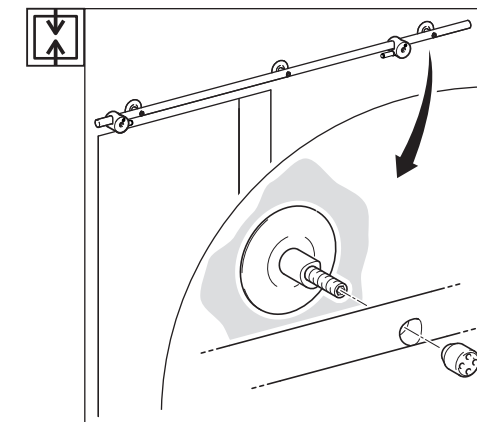


Fig. 8

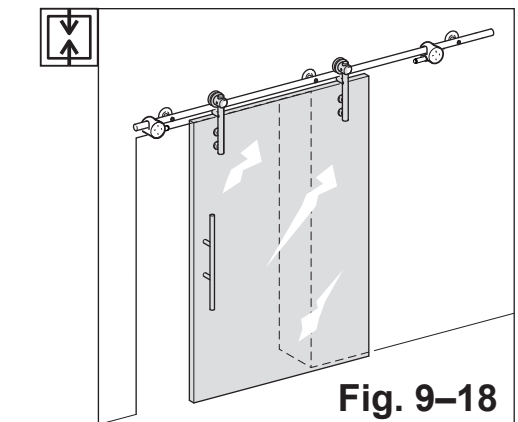


Fig. 9

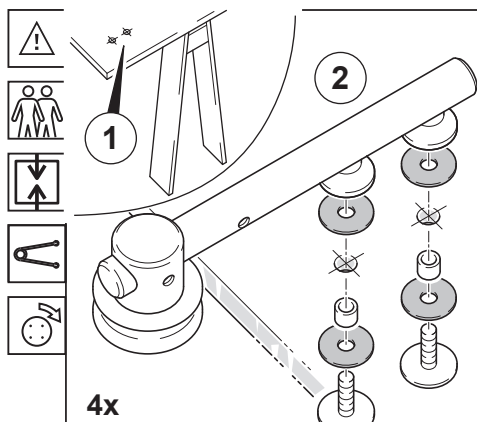


Fig. 10

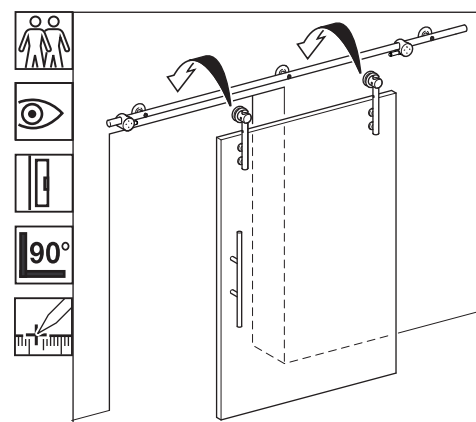


Fig. 11

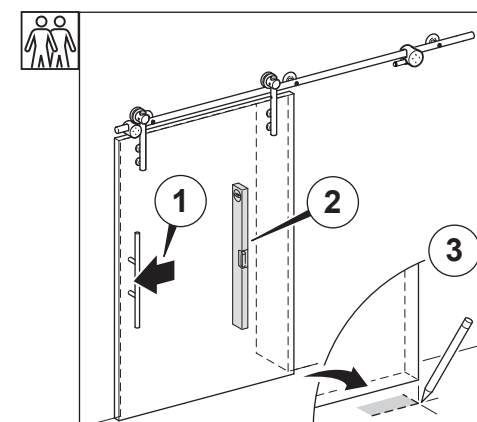


Fig. 12

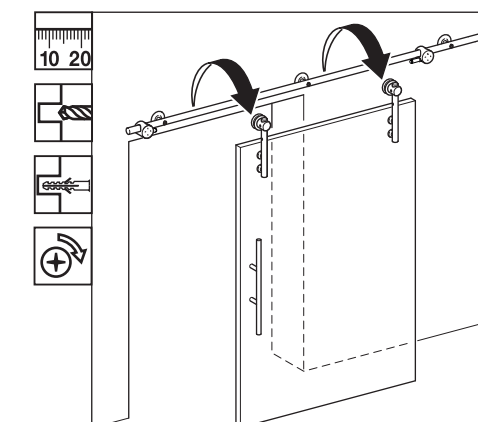


Fig. 13

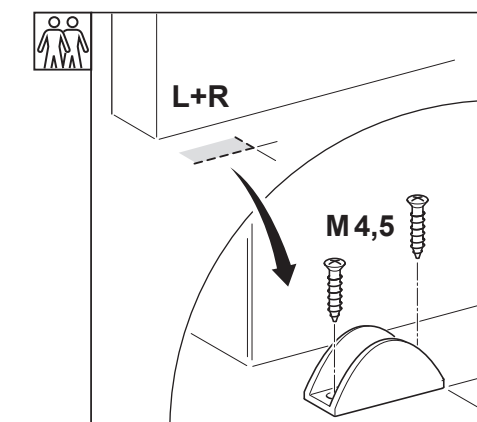


Fig. 14

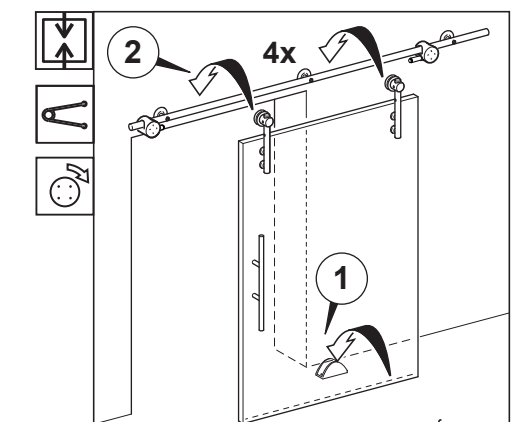


Fig. 15

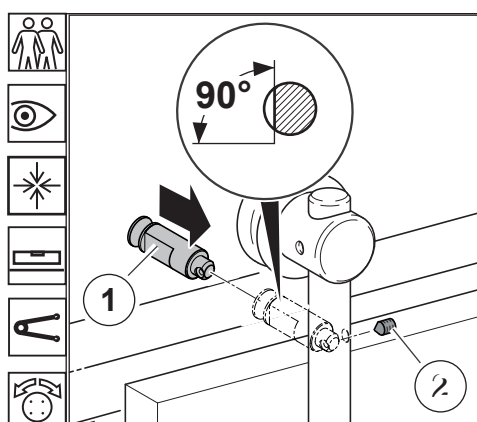


Fig. 16

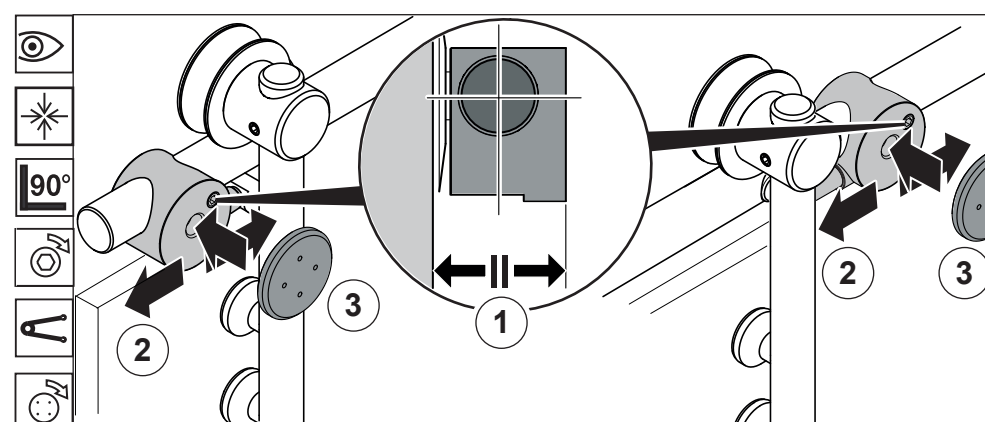
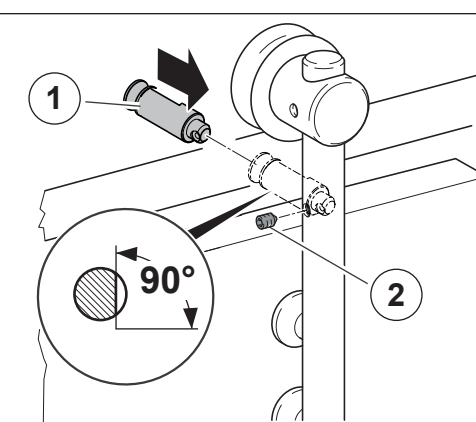


Fig. 17

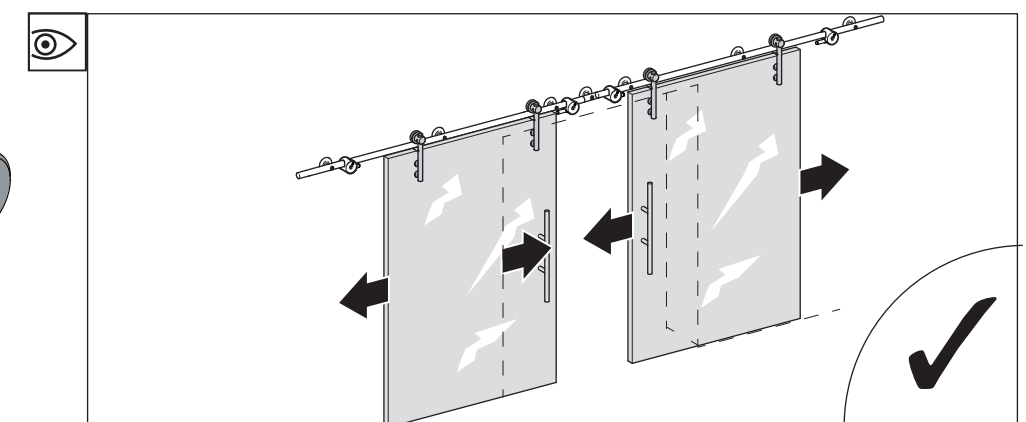


Fig. 18